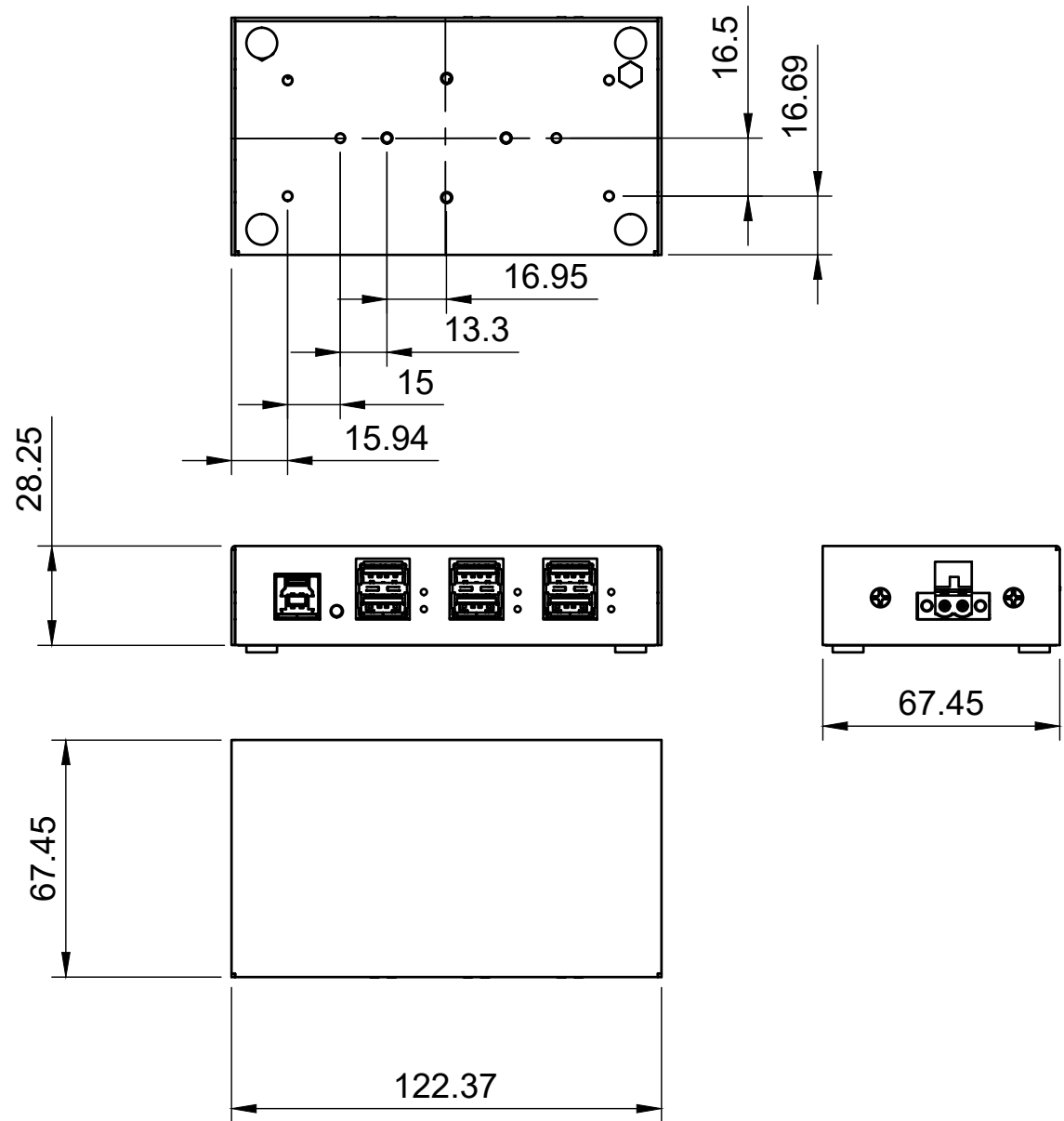

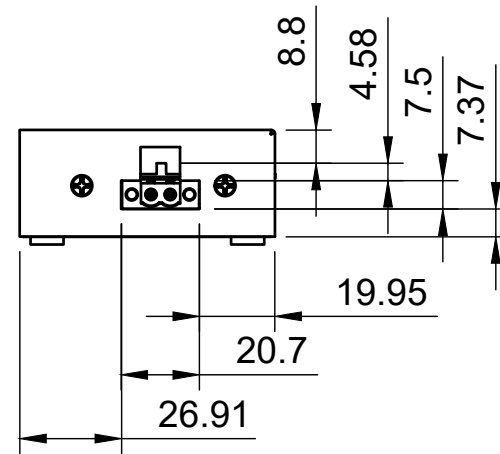
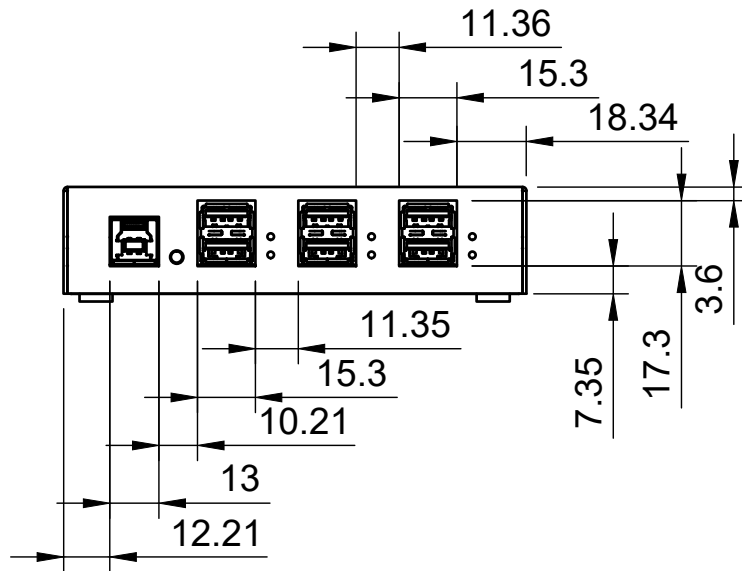



Basic Measurements
Mounting Holes



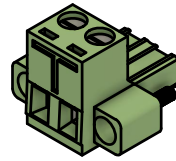
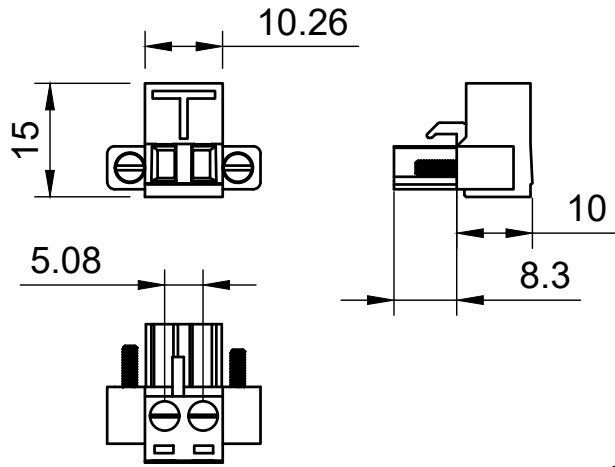
	Model #:	
	US-H6	
Drawn by: leo.pinto	Scale: 1:2	Units: mm
Drawn Date: 5/10/2021	Tolerance: +/- 0.15mm	
Notes:	Contact: support@coolgear.com	
	Web: coolgear.com	
	A4	1/3

Detailed Port Measurements

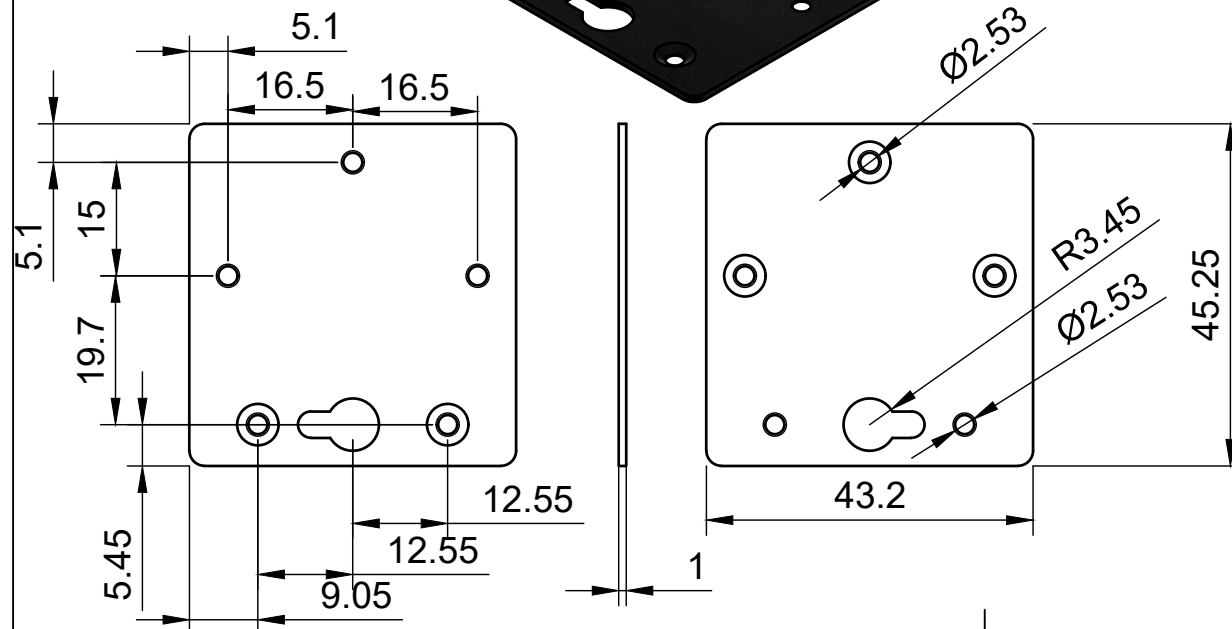


	Model #: US-H6	
	Drawn by: leo.pinto	Scale: 1:2
Drawn Date: 5/10/2021	Tolerance: +/- 0.15mm	
Notes:	Contact: support@coolgear.com	
	Web: coolgear.com	
	A4	2/3

Accesories
Scale 1:1




Scale 1:1



Exploded View



		Model #:	
		US-H6	
Drawn by: leo.pinto		Scale: 1:2	Units: mm
Drawn Date: 5/10/2021		Tolerance: +/- 0.15mm	
Notes:		Contact: support@coolgear.com	
		Web: coolgear.com	
		A4	3/3