



ChargeIT! mini Product Family

Model Numbers: *CG-PD60PPS, CG-PD110C2, CG-PD200MAX, CG-PD140EPR, CG-PD100C, CG-PD82HV, CG-CMD60W. CG-PD99PPS*

Product Manual

Coolgear, Inc.

Version: 1.1

Date: 2025-03-04



Table of Contents

1. Introduction	3
1.1 Features	3
1.2 Hardware Diagram	4
1.3 Hardware Installation	5
1.4 Screw-Locking Ports	6
1.5 Supported USB Devices	6
1.6 Environmental Specifications	6
1.7 Package Contents	7
1.8 Certifications	8
2. Notes, Tips, Warnings, and Safety	9
2.1 Supporting References	10

Revision History

1.1	2025-03-04	Addition of CG-PD99PPS

1. Introduction

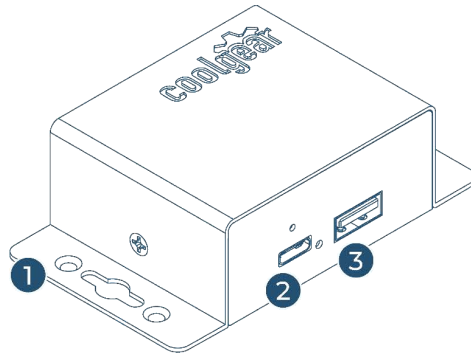
Coolgear’s ChargeIT! mini line is a series of compact high power usb power delivery chargers. Intended for use in PC power adapters, mobile chargers, car chargers, and power bank applications these chargers offer high power charging in a small chassis. Often featuring 1 or 2 ports, these chargers are perfect for charging mobile phones, tablets, notebooks, laptops, and other high-power USB-C devices.

Model No.	CG-PD60PPS	CG-PD110C2	CG-PD200MAX	CG-PD140EPR	CG-PD100C	CG-PD82HVV	CG-CMD60W	CG-PD99PPS
Weight (lbs)	0.293	0.293	0.293	0.293	0.293	0.293	0.281	0.240
Dimensions (in)	3.48 (L) 2.00 (W) 1.03 (H)	3.48 (L) 2.00 (W) 1.03 (H)	3.48 (L) 2.00 (W) 1.03 (H)	3.48 (L) 2.00 (W) 1.03 (H)	3.48 (L) 2.00 (W) 1.03 (H)	3.48 (L) 2.00 (W) 1.03 (H)	2.38 (L) 2.00 (W) 1.03 (H)	3.48 (L) 2.00 (W) 1.03 (H)
Color	Black	Black	Black	Black	Black	Black	White	Black
Port 1 Type	USB-C PD 60W	USB-C PD 65W	USB-C PD 100W	USB-C PD 140W EPR	USB-C PD 100W	USB-C PD 82W	USB-C PD 60W	USB-C PD 93.8W
Port 2 Type	USB-A QC3.0 18W	USB-C PD 45W	USB-C PD 100W	N/A	N/A	N/A	USB-A QC3.0 18W	USB-A QC3.0 36W
Power Input	2-Pin Terminal Block	2-Pin Terminal Block	2-Pin Terminal Block	2-Pin Terminal Block	2-Pin Terminal Block	2-Pin Terminal Block	2-Pin Terminal Block	2-Pin Terminal Block or DC Barrel
Input Voltage (V DC)	+12~24	+12~24	+24~28	+12~24	+12~24	+24~48	+12~24	+9~24
PPS Support	✓	✓	✓	✓	✓	✓	✓	✓

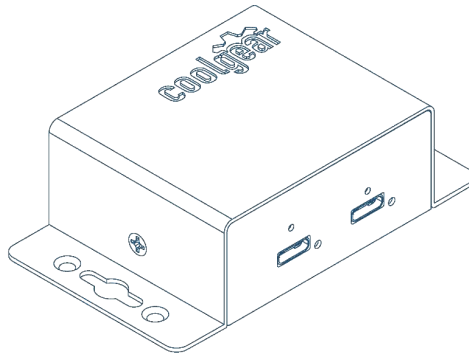
1.1 Features

- USB Type-C with Power Delivery
- Rigid and Wall and surface mountable Metal Case
- Extensive protection including ESD, over/under current, and short circuit protection
- Screw-lock compatible USB Type-C ports

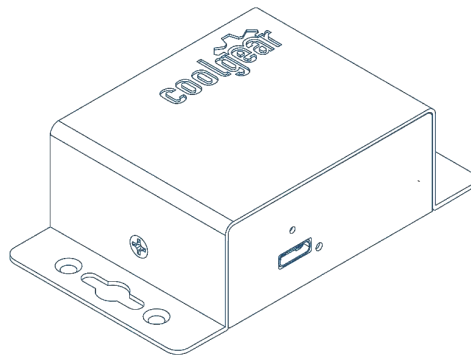
1.2 Hardware Diagram



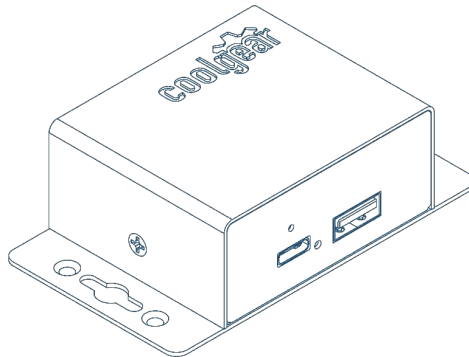
CG-PD60PPS, CG-PD99PPS



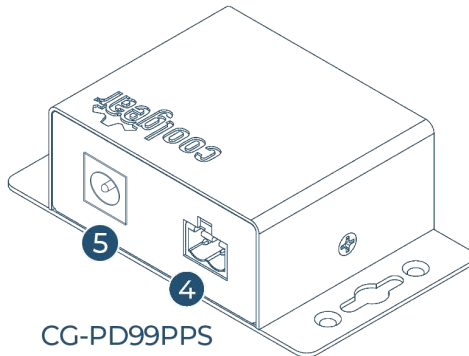
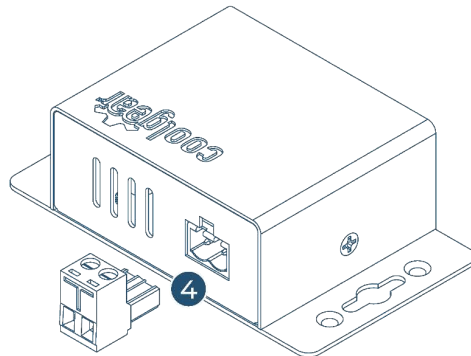
CG-PD110C2, CG-PD200MAX



CG-PD140EPR, CG-PD100C, CG-PD82HVV



CG-CMD60W

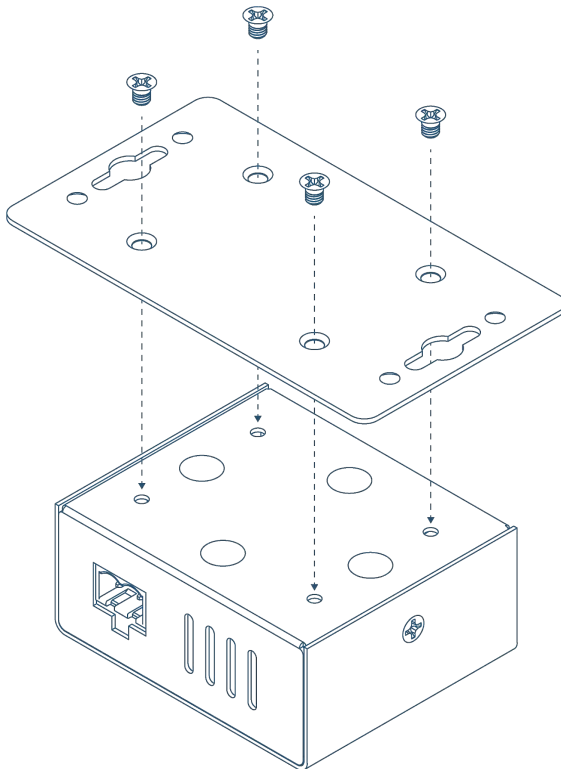


CG-PD99PPS

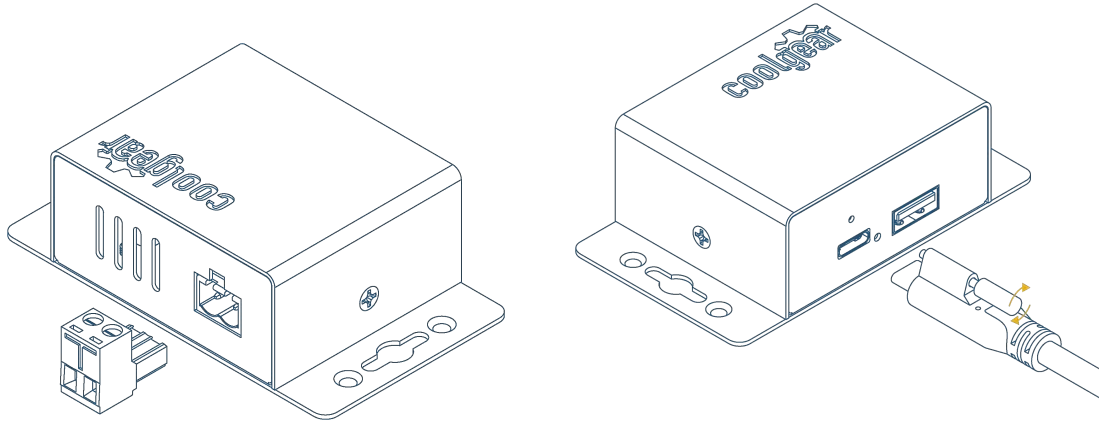
1	Mounting bracket	Surface mounting flanges (<i>Removable on CG-CMD60W</i>)
2	USB Type-C Charging Port	Power delivery port
3	USB Type-A Charging Port	Qualcomm Quick Charging compatible
4	2-Pin Phoenix Terminal Block	Power input of varying input voltages
5	DC Barrel Jack	Power input of varying input voltages

1.3 Hardware Installation

1. **Use static electricity discharge precautions.** Remove possible static discharge potential from any objects that the hub may come in contact with before installation. This can be accomplished by touching bare metal after you have turned off the power.
2. **Attach the AC power adapter.**
3. **Connect the USB Devices** to the charging ports of this hub via USB cable.
4. **(OPTIONAL) Mount your hub on the wall/surface.** For the CG-CMD60W use on desktop with included rubber feet or attach optional surface mounting bracket.
5. **(OPTIONAL for USB Type-C Ports)** Attach screw-locking USB-C cable for safer connections.



Attach surface mounting plate
CG-CMD60W



Attach the AC Power Adapter or DC Barrel

Affix screw-locking USB-C Cable

1.4 Screw-Locking Ports

All models feature screw-locking capabilities on USB Type-C ports. Port screw-hole and Coolgear Screw-Locking USB-C Cables are both USB-IF screw lock compliant. Attach screw-locking cable for safe & secure connections.

1.5 Supported USB Devices

- Supports mobile phones, tablets, notepads, laptops, and other USB Type-C devices

1.6 Environmental Specifications

Specification	Data
Operating Temperature:	0-55°C (32 to 131°F)
Storage Temperature:	-20°C to 75°C (-4 to 167°F)
Operating Humidity:	5 to 95% (non-condensing)

1.7 Package Contents



Package Contents CG-PD60PPS, CG-PD110C2, CG-PD200MAX, CG-PD140EPR, CG-PD100C, CG-PD82HVV, CG-PD99PPS

- Charger
- 2-Pin Terminal Block

Power supply not included



Package Contents CG-CMD60W

- Charger
- Surface Mounting Flange
- Terminal Block Power Adapter & Power Cord
- Rubber Feet
- Screw Pack

1.8 Certifications

The CG-PD99PPS, ChargeIT! mini 99W Dual Port USB-A & USB-C PD Charger isn't just powerful—it's been rigorously tested to meet the highest international safety standards. Our comprehensive testing ensures you can rely on the device in even the most demanding automotive, industrial, and commercial applications.

STANDARD	CERTIFICATE/TEST REPORT	COMPLIANCE	REMARKS
	Report: SiCT2412161861E Cert.: SiCT2412161861C	✓ Compliant	EN 55032:2015/A1:2020, EN 55035:2017+A11:2020
	Report: SiCT2412161863E Cert.: SiCT2412161863C	✓ Compliant	FCC Part 15 Subpart B, ANSI C63.4:2019
	Report: SiCT2412161865S	✓ Compliant	IEC 62368-1:2023
	Report: SiCT2412161862R Cert.: SiCT2412161862C	✓ Compliant	Conforms to RoHS 2.0 Directive (EU) 2015/863, (EU)2017/2102
	Report: SiCT2412161864S	✓ Compliant	UL 2089 Standard for Vehicle Battery Adapters

2. Notes, Tips, Warnings, and Safety

Note

This product requires an external power source to function. CG-CMD60W comes packaged with a compatible power supply.

Safety

- o Read the entire Product Manual before implementing this product for your application. This manual contains important information about electrical connections that must be followed for safe and proper operation.
- o Inspect the product closely for visual defects before putting it to use.
- o Keep away from areas where moisture builds, this product contains electrical components that can be damaged by moisture build up, this can adversely affect your equipment connected to it.
- o Do not disassemble the product. Handling the product's internal components can expose it to ESD (Electro-Static Discharge) hazards that can affect the function of the device.
- o If this product is not functioning properly, email our support team at support@coolgear.com.

USB CHARGING & CONNECTIVITY EXPERTS

Within Every Great Machine

For over 20 years our rugged, off-the-shelf USB hubs, chargers, and serial products are ready to go for your next project. Based in the US, Coolgear has successfully engineered and deployed millions of connectivity solutions into industrial, medical, automotive, commercial, and aerospace industries.

We understand the importance of reliability, build quality, & consider all our customers' applications as critical wanting to ensure long-lasting event-free integrations.

2.1 Supporting References

Website Product Pages	Link
CG-PD60PPS	https://www.coolgear.com/product/usb-power-delivery-60w-high-power-industrial-adapter-charger-cg3pa
CG-PD110C2	https://www.coolgear.com/product/chargeit-mini-110w-dual-type-c-pd-charger-65w-usb-c-port-45w-usb-c-port
CG-PD200MAX	https://www.coolgear.com/product/chargeit-mini-200w-dual-type-c-pd-charger-100w-output-each-port-24v-input
CG-PD140EPR	https://www.coolgear.com/product/chargeit-mini-140w-usb-type-c-pd-charger-w-epr-support
CG-PD100C	https://www.coolgear.com/product/chargeit-100-watt-usb-type-c-charger
CG-PD82HVV	https://www.coolgear.com/product/chargeit-mini-82w-usb-type-c-pd-charger-high-w-2448v-dc-input
CG-CMD60W	https://www.coolgear.com/product/chargeit-mini-desktop-75w-dual-port-usb-a-usb-c-pd-charger-w-pps-qc4-0-support
CG-PD99PPS	https://www.coolgear.com/product/chargeit-mini-99w-dual-port-usb-a-usb-c-pd-charger-w-pps-qc4-0-ul-iec-tested

Compliance Statement

View compliance within the product's respective Technical Data Sheet, found on the product's online listing.

Technical Support

When you reach out to Coolgear support, you'll find yourself in the hands of a solution-oriented and knowledgeable expert ready to answer whatever question you throw at them. If you ever need help with your product, visit coolgear.com/support for support tickets, downloads, and other support resources. For the latest drivers, please visit coolgear.com/download.

Product Standard Warranty

One (1) Year Warranty from Date of Purchase Invoice. Coolgear will repair or replace any Product determined to be defective and which has been returned, at your risk and expense, to Coolgear. Where Coolgear determines in its sole judgment that repair or replacement of such Product is not reasonable, Coolgear will keep the non-conforming Product and refund to you the amount you paid for such Product. Returned Products shall be subject to the balance of the Warranty Period otherwise applicable. Any reconditioned parts used by Coolgear shall be subject to all the same provisions as otherwise applicable to new parts. THE FOREGOING DESCRIBES COOLGEAR'S SOLE LIABILITY, AND YOUR SOLE REMEDY, FOR ANY BREACH OF WARRANTY. IF YOU DO NOT AGREE WITH THE TERMS OF THIS LIMITED WARRANTY, YOU MUST RETURN THE PRODUCTS UNUSED AND IN THEIR ORIGINAL CONTAINERS TO YOUR ORIGIN OF PURCHASE.

Limitation of Liability

This Limited Warranty does not cover: (i) defects or damages resulting from natural causes, casualty, accident, misuse or abuse, neglect, alterations, service or repair by other than Coolgear, including without limitation by you; (ii) improper installation or de-installation, operation or maintenance, improper connections with peripherals or other causes not arising out of defects in the materials or workmanship of Products; (iii) any Product for which the warranty sticker has been removed, modified or defaced; (iv) normal wear and tear; (v) damage to or loss of repaired or replaced Products during shipping by Coolgear except when such damage or loss is caused by poor or inadequate packaging by Coolgear; or (vi)

Products purchased outside the United States. UNDER NO CIRCUMSTANCES WILL COOLGEAR BE LIABLE FOR ANY LOSS OF USE, INTERRUPTION OF BUSINESS OR ANY INDIRECT, SPECIAL, INCIDENTAL, PUNITIVE OR CONSEQUENTIAL DAMAGES OF ANY KIND (INCLUDING LOST PROFITS) REGARDLESS OF THE FORM OF ACTION WHETHER IN CONTRACT, TORT (INCLUDING NEGLIGENCE), STRICT PRODUCT LIABILITY OR OTHERWISE, EVEN IF COOLGEAR HAS BEEN ADVISED OF THE POSSIBILITY OF SUCH DAMAGES. IN NO EVENT SHALL THE TOTAL LIABILITY OF COOLGEAR HEREUNDER EXCEED THE GREATER OF \$50.00 OR THE AMOUNT YOU ACTUALLY PAID FOR THE PRODUCT GIVING RISE TO SUCH LIABILITY, REGARDLESS OF THE CAUSE OF ACTION, IN CONTRACT, TORT, STRICT LIABILITY OR OTHERWISE. NOT ALL JURISDICTIONS ALLOW SUCH LIMITATIONS OF DAMAGES SO THE FOREGOING LIMITATIONS MAY NOT APPLY TO YOU.

© 2022 Coolgear, Inc. All Rights Reserved. All products and accompanying digital documentation including images are the property and / or trademarks of Coolgear Inc. Coolgear Inc. are continuously improving upon its products. Product specifications are subject to change without notice.