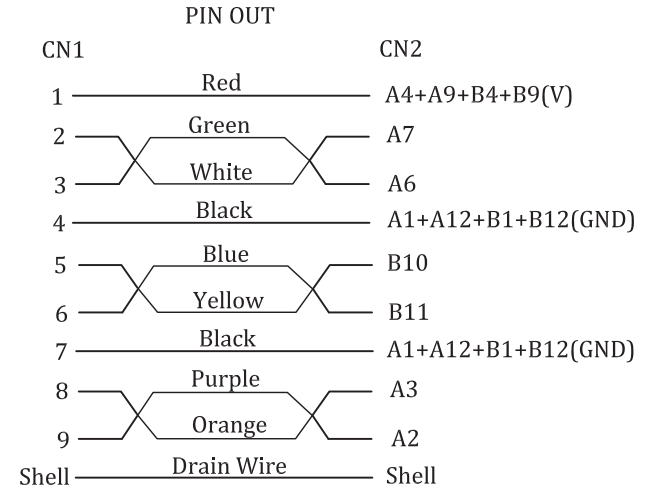
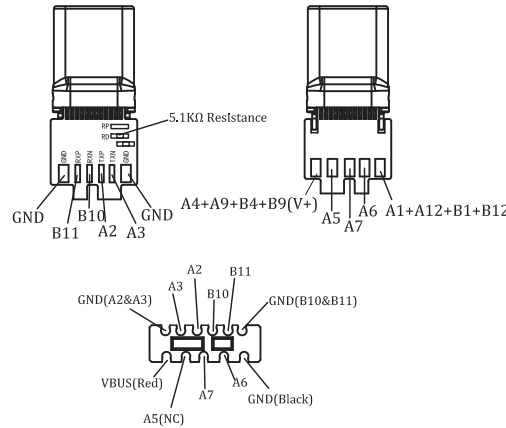
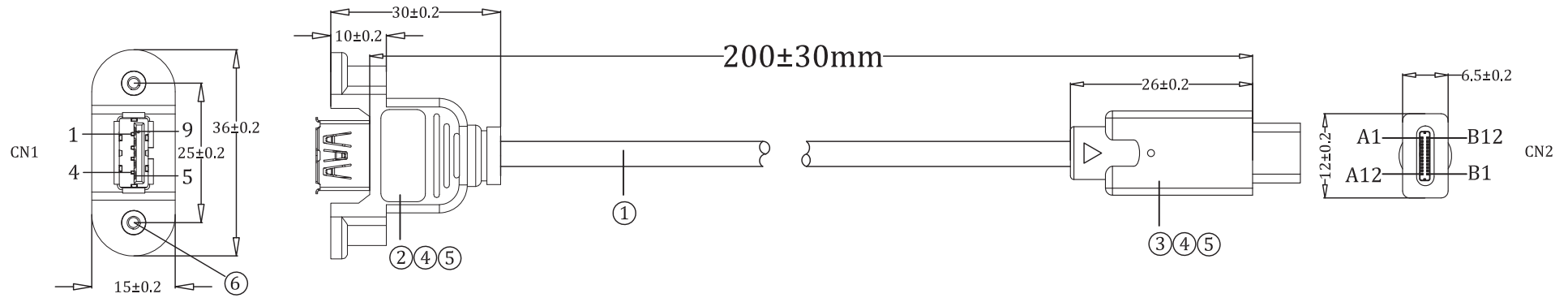



RoHS Compliant



Electronic Tests:

- A. Open/Short/Intermittence: 100%
- B. Hi-Pot: AC 300V 0.01S 1mA
- C. Insulation Resistance: DC 300V 0.01S 10MΩ Min
- D. Conductive Resistance: 3 OHM Max
- E. Computer Test: 100%

⑦	Screw	Nickel Plated (#4-40), 15mm, Black	2	pcs
⑥	Nut	Nickel Plated (#4-40), White	2	pcs
⑤	Outer Mold	45P PVC Black	16	g
④	Inner Mold	LDPE	5	g
③	Connector	USB 3.0 A Female, PIN Gold Flash, Shell Nickel Plated	1	pc
②	Connector	USB 3.1 Type C Male, PIN Gold Flash, Shell Nickel Plated	1	pc
①	Cable	32AWG[(7/0.08TC)*1P+D(7/0.10BC)+Al-Foil+Mylar]*2+26AWG(7/0.16TC)*2C+32AWG(7/0.08TC)*1P+D(7/0.10BC)+Al-Foil+B(16*4/0.12Al-Mg),Black PVC Jacket, OD: 4.2±0.2mm	200	mm
No.	P/No.	Specifications	Q'TY	Unit

	MODEL #:	CG-U3CMAF-PM
	PAGE:	1 / 1
DRAW: Jesse Woodward	NOTES:	
DATE: 8/25/2023	SCALE:	
UNIT: mm	TOLERANCE:	+/- 0.15 mm
SITE: coolgear.com	CONTACT:	support@coolgear.com