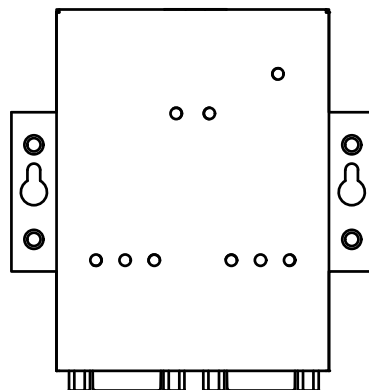
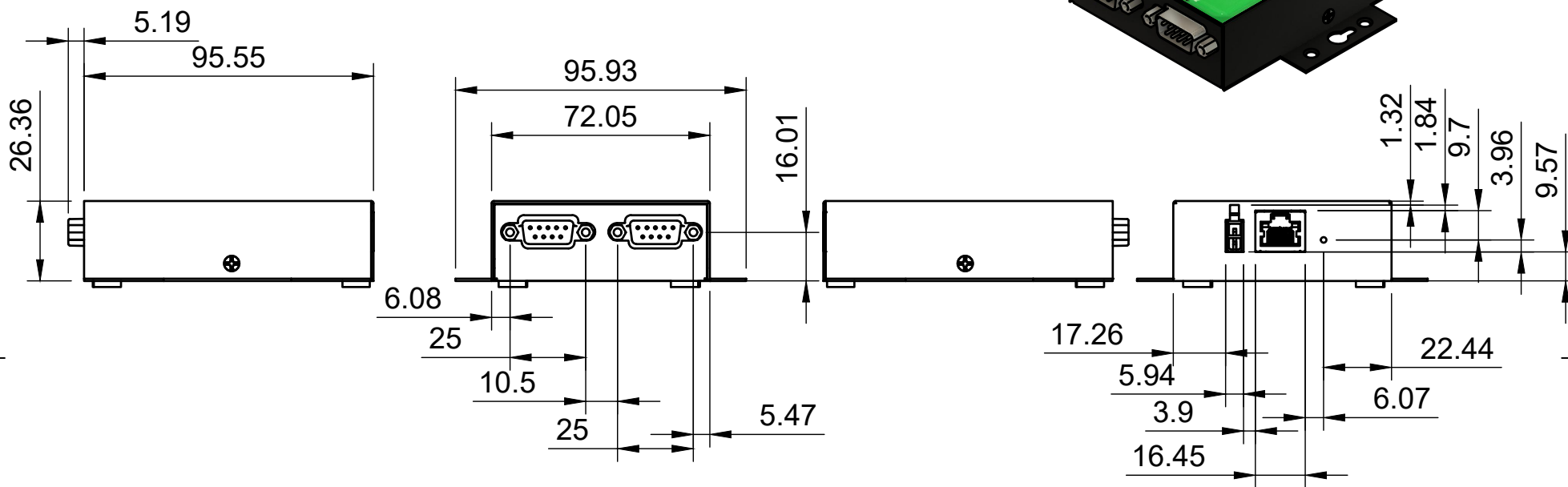

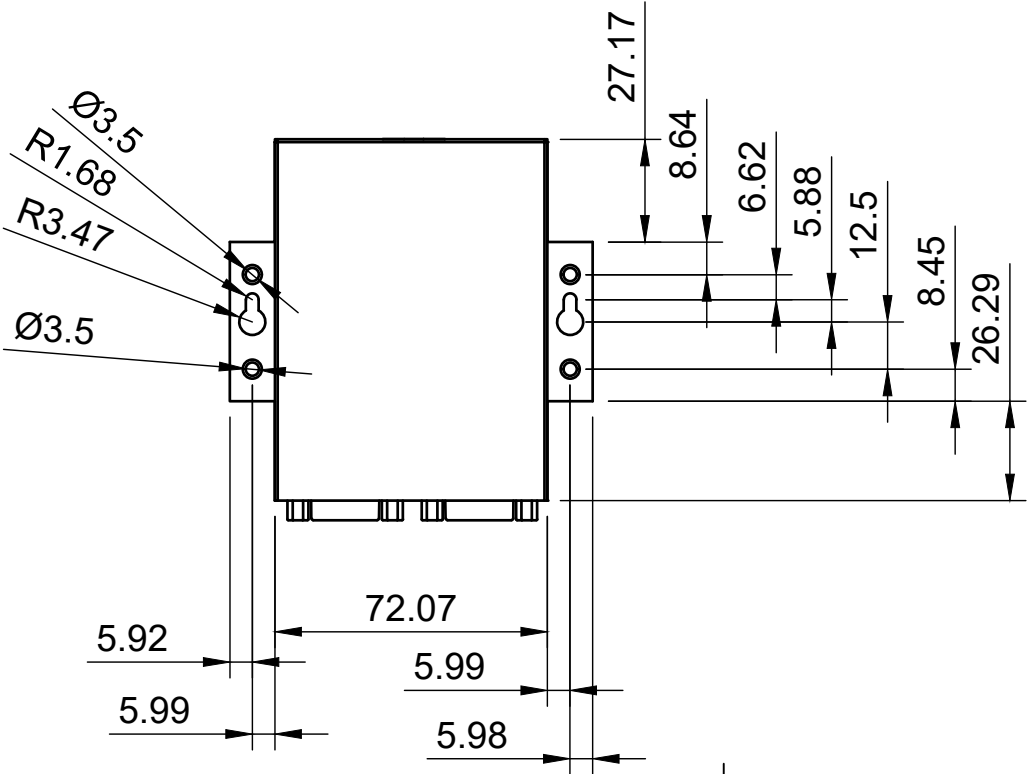
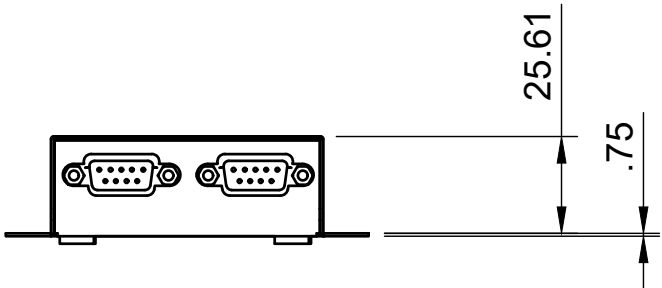



Basic Measurements
Detailed Port Measurements



	Model #: NCAN-2	
	Drawn by: Leo Pinto	Scale: 1:2
Drawn Date: 6/24/2024	Tolerance: +/- 0.15mm	
Notes:	Contact: support@coolgear.com	
	Web: coolgear.com	
	A4	1/2

Mounting Holes Measurements



		Model #:	
		NCAN-2	
Drawn by: Leo Pinto		Scale: 1:2	Units: mm
Drawn Date: 6/24/2024		Tolerance: +/- 0.15mm	
Notes:		Contact: support@coolgear.com	
		Web: coolgear.com	
		A4	2/2