



7-Port Managed USB3.2 Gen 1 Metal Hub

w/DIN RAIL Mounting Kit

Model Number: *CG-7PU3MGD*

Installation Guide

Coolgear, Inc.

Version: 1.0

Date: 04/03/2024



Table of Contents

1. Introduction	2
2. Connector Layout	3
3. Hardware Installation	3
4. USB Hub Administrator Utilities Installation	4
5. Restore to Factory Settings	6
6. Environmental Specifications	7

Revision History

Revision	Date	Comments
1.0	04/03/2024	First Release

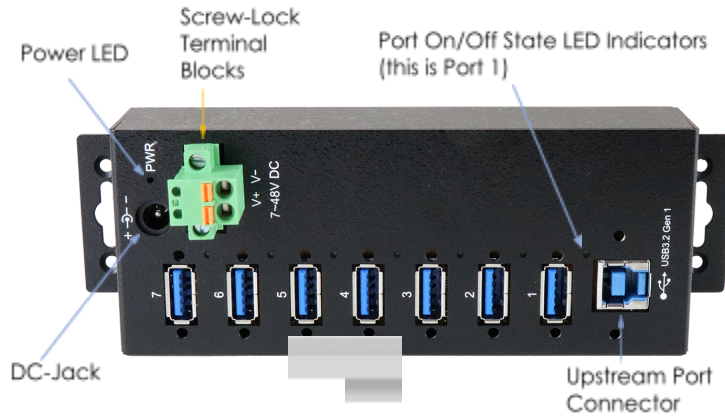
1. Introduction

Thank you for purchasing Coolgear's 7-Port Managed USB3.2 Gen 1 Metal Hub. The Super-speed Hub is supplied with managing software utilities which can turn on/off the bus power of each downstream device or even reset the entire hub by user or application programs. It enables the success of your critical USB applications instantly and improves your investment returns.

Features:

- ✓ Compliant with USB Specification 3.2 Gen 1
- ✓ Metal Case, DIN Rail and wall mountable
- ✓ Software Manageable Bus power for each Port
- ✓ Supports software utilities for Windows (XP and newer), Linux
- ✓ Provides 7 Downstream USB3.2 Gen 1 Facing Ports (see Note 1)
- ✓ Provides 7 LEDs Indicating each bus power states
- ✓ Supports 5Gbps (Super-speed), 480Mbps (High speed), 12Mbps (Full-speed) and 1.5Mbps (Low-speed) Speed
- ✓ Supports 15KV ESD Level 4 Protection for Each Port
- ✓ Supports +7~48V DC Wide Range Input Power
- ✓ Supports USB Battery Charging v1.2 : CDP, DCP modes

2. Connector Layout



1. **USB-A Downstream Facing Port Connectors:** There are 7 USB-A screw-lock connectors for standard USB3.2 Gen 1 and legacy USB2.0/1.1 devices.

Note 1: The last USB port (Port 7) of this hub does NOT support USB2.0/1.1 devices because it is used to communicate with the managing utilities. However, it still supports USB3.2 Gen 1 devices.

2. **USB-B Upstream Facing Port Connector:** The Type-B screw-lock connector from upstream USB3.2 Gen 1 port. It is connected from the host or another USB3.2 hub's downstream facing port.
3. **Power LED:** Turns on indicates the hub was powered.
4. **Port State Indicator LEDs:** Each port has a LED next to it. When the LED is on, the USB device is enabled (connected). If the LED is off, the USB device is disabled (disconnected).
5. **Self Power Input Connectors:** The DC-Jack or 2-pin (one pin is for the positive voltage and the other pin is GND) screw-lock terminal blocks is used to connect wide range power source to self-power the hub, the voltage can be in the range from +7V to 48V DC.

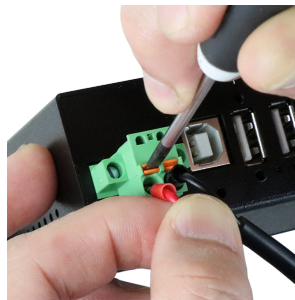
3. Hardware Installation

1. **Use static electricity discharge precautions.**
Remove possible static discharge potential from any objects that the hub may come in contact with before installation. This can be accomplished by touching a bare metal chassis rail after you have turned off the power.
2. **Apply DC power (range from +7V to 48V) to the 2-pin Screw-Lock Terminal Block Connector.**

⚠ Warning!!

Please make sure the polarity of the input power should correctly match with the marking next to the terminal block pins

- The terminal blocks' Push-In mechanism allows you to push the wire directly into the contact hole and latch by its internal latch spring automatically.
- To remove the wire, you need a tool (such as a small flathead screwdriver) to release the internal latch spring, then remove the wire as shown in the following picture. If the wire is too soft to be inserted into the contact hole, you need to release the latch string with the below tool, insert the wire then release the latch spring to latch the wire.



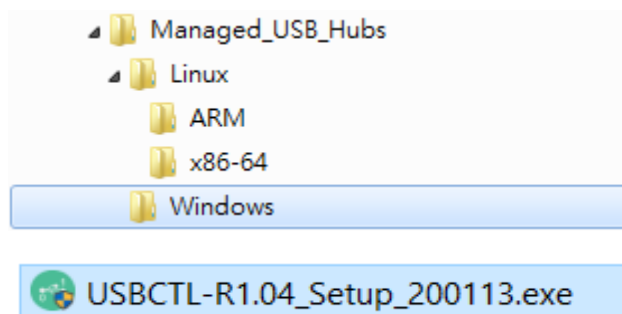
4. Connecting USB Host cable: The host cable can be a standard B-to-A or B-to-C USB3.2 Gen 1 cable (depends on the host port's connector type). Please connect the type-A (or Type-C) end connector of the cable to your USB host port, then connect the type-B end connector to this hub. Since the USB hub is plug-and-play, you don't have to turn off your host computer when installing the hub.

5. Connect the USB devices to the downstream ports of this hub.

6. Install the USB Hub Administrator Utilities as described in the following chapter

4. USB Hub Administrator Utilities Installation

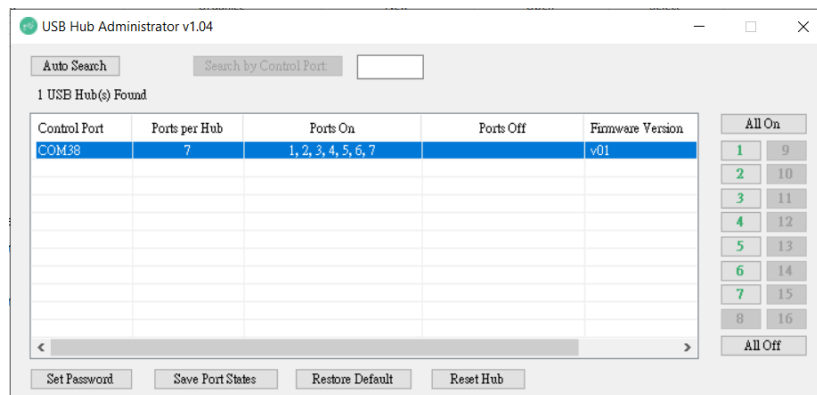
The Hub supports managing utilities called **USB Hub Administrator** for major recent Windows (XP and above) and Linux:



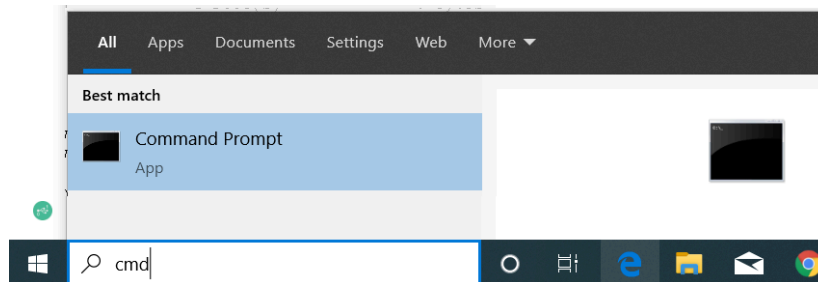
1. The above folders include the software for different platforms. If you are installing it on Windows, please find the executable setup program in Windows folder, double-click it:



2. Please follow the on-screen instructions of the setup program to complete the installation. After installed, it will launch the utility automatically:
 - Click **Auto Search** to find all Managed USB Hubs
 - Click the item on the list to select the Hub to control
 - Click on the numeric (indicate the Port number) button to turn On/Off the USB port
 - You can save the current port states by clicking the **Save Port States** button



3. To use the console utility CUSBC to control the USB devices, please run Command Prompt as follows:



To see all CUSBC commands, type: **CUSBC /?**

```
CUSBC v1.03
Usage: CUSBC command [password] [argument]
command:
  /Q      query (no password is required)
Usage:   CUSBC /Q [option]
```

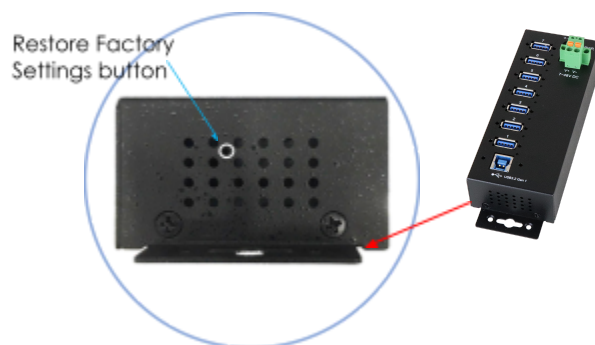
To query all Hubs connected: **CUSBC /Q**

```
C:\>CUSBC /Q
1 USB Managed Hub(s) Found.
COM38, 7 ports, On=1,2,3,4,5,6,7, Off=None, FW=v01
```

5. Restore to Factory Settings

To perform a factory reset:

1. Verify that your hub's Power LED is off.
2. On the side of your hub, locate the hole of the Restore Factory Settings button:



3. Use a paper clip or similar object to press and hold the Restore Factory Settings button, while still holding the button power on the hub.
4. Release the Restore Factory Settings button.

- Your hub resets to its factory default settings:
 - All ports are On
 - The password: **pass**

6. Environmental Specifications

Operating temp.: 0 to 55°C (32 to 131°F)

Operating humidity: 5 to 95% RH

Dimensions (LxWxH): 163 x 55.0x 31.2 mm
(6.41 x 2.16 x 1.22 in)

Contact Us:

Coolgear Inc.

5120 110th Avenue North

Clearwater, Florida 33760 U.S.A.

Toll Free: 1 888-688-2188

Local: 1 727-209-1300

Fax: 1 727-209-1302

Safety

- Read the entire Installation Guide before implementing this product for your application. This guide contains important information about electrical connections that must be followed for safe and proper operation.
- Inspect the product closely for visual defects before putting it to use.
- Keep away from areas where moisture builds, this product contains electrical components that can be damaged by moisture build up, this can adversely affect your equipment connected to it.
- Do not disassemble the product. Handling the product's internal components can expose it to ESD (Electro-Static Discharge) hazards that can affect the function of the device.
- If this product is not functioning properly, email our support team at support@coolgear.com.

USB CHARGING & CONNECTIVITY EXPERTS

Within Every Great Machine

For over 20 years our rugged, off-the-shelf USB hubs, chargers, and serial products are ready to go for your next project. Based in the US, Coolgear has successfully engineered and deployed millions of connectivity solutions into industrial, medical, automotive, commercial, and aerospace industries.

We understand the importance of reliability, build quality, & consider all our customers' applications as critical, wanting to ensure long-lasting event-free integrations.

Compliance Statement

View compliance within the product's respective Technical Data Sheet, found on the product's online listing.

Technical Support

When you reach out to Coolgear support, you'll find yourself in the hands of a solution-oriented and knowledgeable expert ready to answer whatever question you throw at them. If you ever need help with your product, visit coolgear.com/support for support tickets, downloads, and other support resources. For the latest drivers, please visit coolgear.com/download.

Product Standard Warranty

One (1) Year Warranty from Date of Purchase Invoice. Coolgear will repair or replace any Product determined to be defective and which has been returned, at your risk and expense, to Coolgear. Where Coolgear determines in its sole judgment that repair or replacement of such Product is not reasonable, Coolgear will keep the non-conforming Product and refund to you the amount you paid for such Product. Returned Products shall be subject to the balance of the Warranty Period otherwise applicable. Any reconditioned parts used by Coolgear shall be subject to all the same provisions as otherwise applicable to new parts. THE FOREGOING DESCRIBES COOLGEAR'S SOLE LIABILITY, AND YOUR SOLE REMEDY, FOR ANY BREACH OF WARRANTY. IF YOU DO NOT AGREE WITH THE TERMS OF THIS LIMITED WARRANTY, YOU MUST RETURN THE PRODUCTS UNUSED AND IN THEIR ORIGINAL CONTAINERS TO YOUR ORIGIN OF PURCHASE.

Limitation of Liability

This Limited Warranty does not cover: (i) defects or damages resulting from natural causes, casualty, accident, misuse or abuse, neglect, alterations, service or repair by other than Coolgear, including without limitation by you; (ii) improper installation or de-installation, operation or maintenance, improper connections with peripherals or other causes not arising out of defects in the materials or workmanship of Products; (iii) any Product for which the warranty sticker has been removed, modified or defaced; (iv) normal wear and tear; (v) damage to or loss of repaired or replaced Products during shipping by Coolgear except when such damage or loss is caused by poor or inadequate packaging by Coolgear; or (vi) Products purchased outside the United States. UNDER NO CIRCUMSTANCES WILL COOLGEAR BE LIABLE FOR ANY LOSS OF USE, INTERRUPTION OF BUSINESS OR ANY INDIRECT, SPECIAL, INCIDENTAL, PUNITIVE OR CONSEQUENTIAL DAMAGES OF ANY KIND (INCLUDING LOST PROFITS) REGARDLESS OF THE FORM OF ACTION WHETHER IN CONTRACT, TORT (INCLUDING NEGLIGENCE), STRICT PRODUCT LIABILITY OR OTHERWISE, EVEN IF COOLGEAR HAS BEEN ADVISED OF THE POSSIBILITY OF SUCH DAMAGES. IN NO EVENT SHALL THE TOTAL LIABILITY OF COOLGEAR HEREUNDER EXCEED THE GREATER OF \$50.00 OR THE AMOUNT YOU ACTUALLY PAID FOR THE PRODUCT GIVING RISE TO SUCH LIABILITY, REGARDLESS OF THE CAUSE OF ACTION, IN CONTRACT, TORT, STRICT LIABILITY OR OTHERWISE. NOT ALL JURISDICTIONS ALLOW SUCH LIMITATIONS OF DAMAGES SO THE FOREGOING LIMITATIONS MAY NOT APPLY TO YOU.

© 2024 Coolgear, Inc. All Rights Reserved. All products and accompanying digital documentation including images are the property and / or trademarks of Coolgear Inc. Coolgear Inc. are continuously improving upon its products. Product specifications are subject to change without notice.