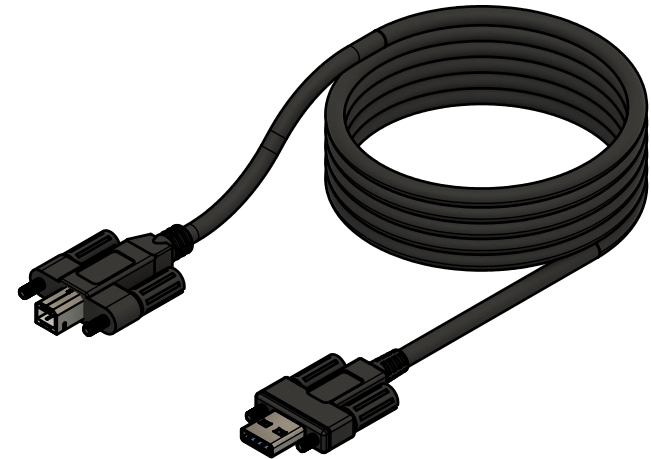
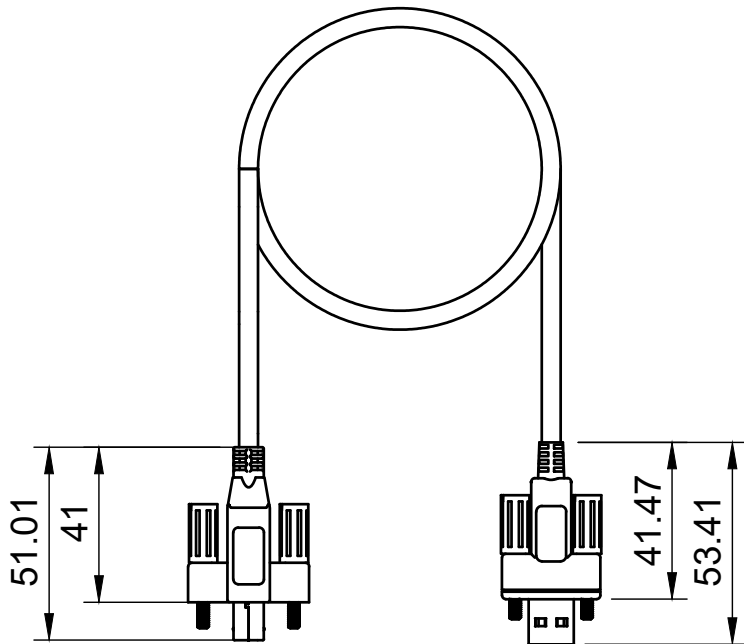
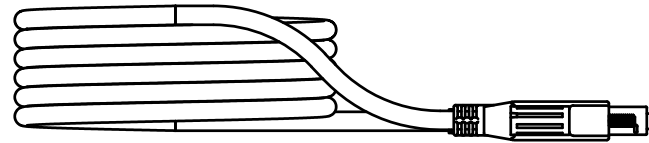
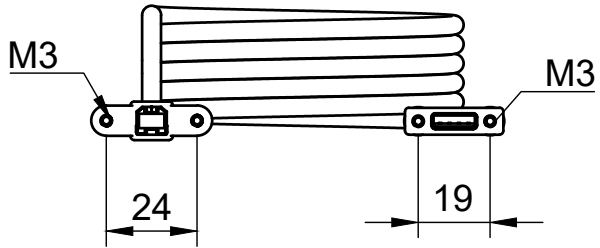

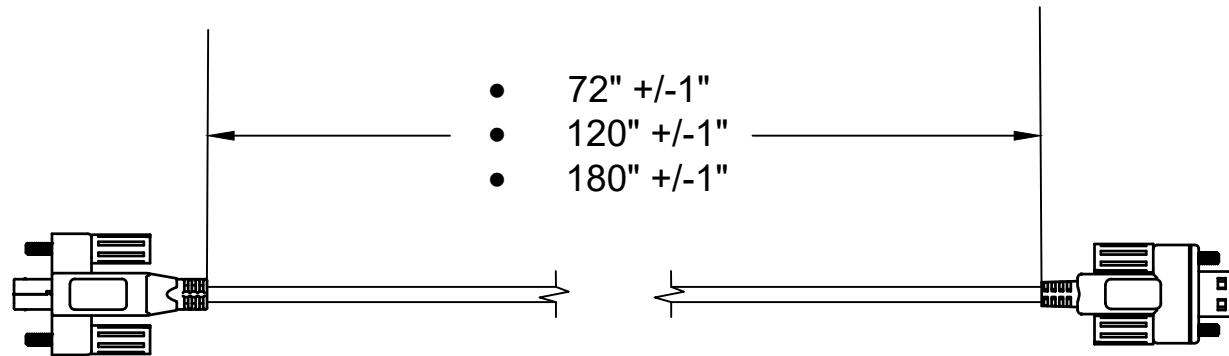



Basic Measurements  
Port Detailed



	Model #: SC-U2MAB	
	Drawn by: Leo Pinto	Scale: 1:2
Drawn Date: 10/8/2021	Tolerance: +/- 0.15mm	
Notes:	Contact: support@coolgear.com	
	Web: coolgear.com	
	A4	1/2

# Cord Length



	Model #: SC-U2MAB	
	Drawn by: Leo Pinto	Scale: 1:2   Units: mm
Drawn Date: 10/8/2021	Tolerance: +/- 0.15mm	
Notes:	Contact: support@coolgear.com	
	Web: coolgear.com	
	A4	2/2