



# 8-Port Terminal Block RS232/422/485 to USB Isolation/Surge Protection

Model Number: *SA-8PX-IS*

## Installation Guide

Coolgear, Inc.

Version: 1.0

Date: 05/08/2024



## Table of Contents

---

<b>1. Introduction</b>	<b>2</b>
<b>2. Packing List</b>	<b>3</b>
<b>3. Connector Layout</b>	<b>3</b>
<b>4. Mode and Terminator Switch Settings</b>	<b>4</b>
<b>5. Installing the Module Box</b>	<b>6</b>
<b>6. Software Installation</b>	<b>7</b>
<b>7. Terminal Blocks Pin assignment</b>	<b>8</b>
<b>8. Specifications</b>	<b>9</b>
<b>9. Mechanical Drawing</b>	<b>10</b>

## Revision History

---

Revision	Date	Comments
1.0	05/08/2024	First Release

## 1. Introduction

Thank you for purchasing Coolgear's Rugged Industrial 8-Port Terminal Block RS232/422/485 to USB Adapter. The SA-8PX-IS 8-port RS232/422/485 to USB2.0 Module Box is designed for your PC, workstation, thin client, or server to provide instant RS232/422/485 Serial port expansion via the Universal Serial Bus (USB). It supports applications that need some combinations of RS232, RS422 and RS485 in one single USB port. It supports screw lock features for the upstream (USB type B) and downstream (type A) connectors with the screw lock USB cables. It prevents disconnecting the USB cables accidentally. The SA-8PX-IS 8 provides the scalability to quickly adapt to new USB technologies. Multiple modules can be added to a single USB interface allowing you to add RS232/422/485 connectivity as needed. Complete product line offers many choices to help you to expand and make your network grow with your requirements. The SA-8PX-IS 8 is compatible with new and legacy RS232/422/485 devices. It is easy to install and use with its plug-and play feature. With the USB Plug-and-Play feature and drivers, simply follow the instructions of Install Wizard, and then you are done. The terminal blocks enable you to easily install your wires for different devices straightforwardly. The SA-8PX-IS 8 is an ideal solution for expanding applications and making a big success in your projects.

**Features:**

- ✓ USB 2.0 High Speed (480Mbits/Second) and Full Speed (12Mbits/Second) Compatible
- ✓ Supports 8 RS232/422/485 Combo Serial Ports
- ✓ RS232 Supports 3-wire Signals (TXD, RXD, GND)
- ✓ Supports 4-wire RS422, RS485 and 2-wire RS485 Modes
- ✓ Supports RS485 Auto Transceiver Turn Around by Unique Featured ATTA™ Hardware
- ✓ 128-byte deep FIFO per transmitter and receivers
- ✓ Each Serial Port Supports 7-pin Screw-Lock-type Terminal Blocks
- ✓ Supports one Downstream USB2.0 Port for Daisy-chain Expansion Modules
- ✓ Supports Baud Rate up to 921.6Kpbs
- ✓ Optional Model: Isolated and 15KV ESD Surge Protection
- ✓ Supports Win2000, XP, 2003, 2008, Vista, Win 7, and Linux

## 2. Packing List

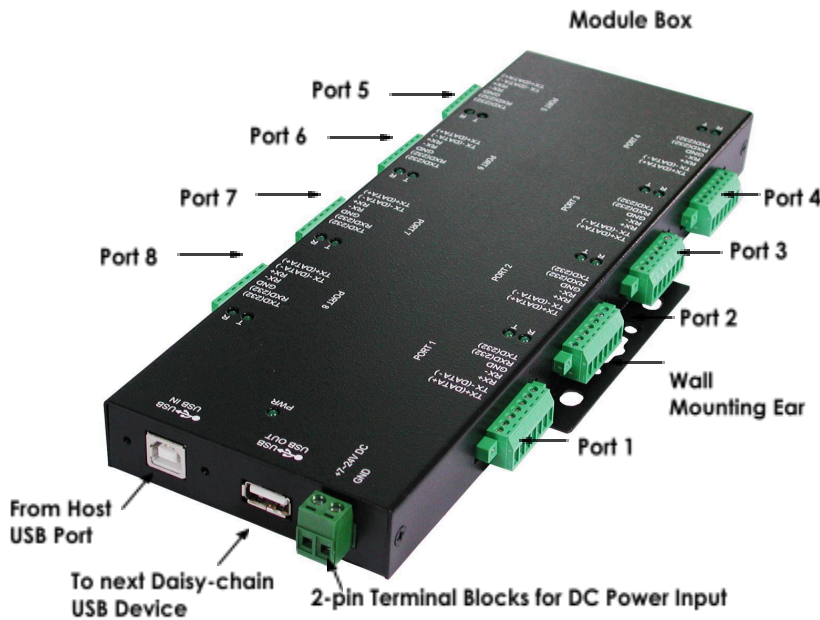
Before installing this product, please make sure the following accessories are well packed in the box:

- Metal Expansion Module Box 1
- USB2.0 Cable x 1
- Driver CD × 1
- This Installation Guide × 1

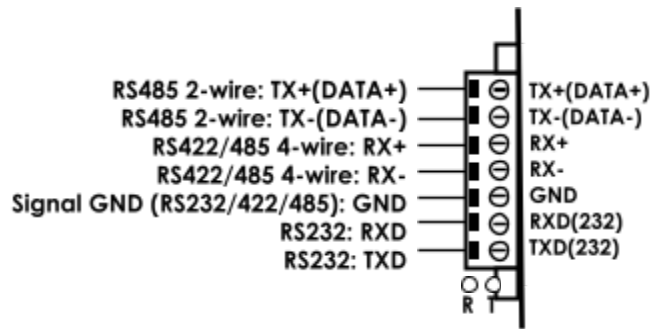
(Mark the check box to help you check it)

## 3. Connector Layout

- **Connectors:**



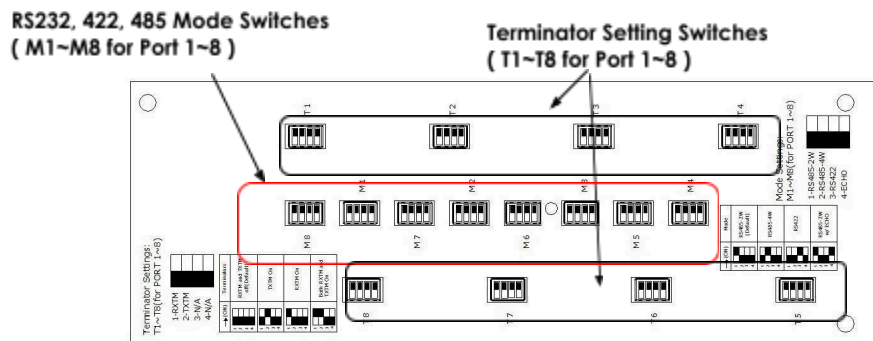
- **7-pin Terminal Blocks Pin Assignment for Port 1 ~ 8:**



- **LEDs:**  
**T** (Green): Blinking when sending data  
**R** (Green): Blinking when receiving data

## 4. Mode and Terminator Switch Settings

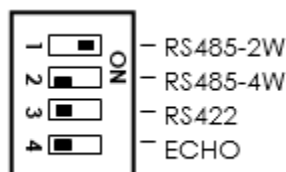
There are 16 4-pin DIP switches on the back side of the box for Port 1 to Port 8. 8 of them are mode switches (marked M1 to M8 for Port 1 to Port 8 respectively) and the other 8 are terminator configuration switches (marked T1 to T8 for Port 1 to Port 8 respectively).



### 1. Mode Switches (M1 to M8 for Port 1 to Port 8 respectively):

Each M1 to M8 has 4 switch pins which are marked with their function names as in the following diagram. Pin 1 is to enable RS485 2 wire mode (when ON), pin 2 enables RS485 4 wire mode (ON), pin 3 enables RS422 mode (ON) and pin 4 enables Echo option (ON). Please refer to the following table for more detail.

#### M1 to M8 DIP Switches:



**Mode Setting Table:**

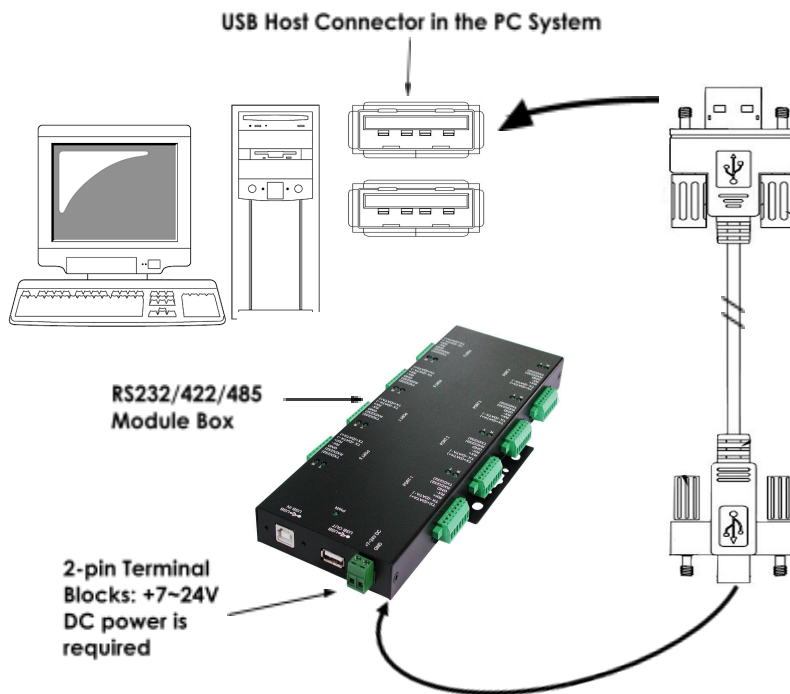
Switch Settings	Description
<p> <input checked="" type="checkbox"/> 1 — RS485-2W  <input checked="" type="checkbox"/> 2 — RS485-4W  <input type="checkbox"/> 3 — RS422  <input checked="" type="checkbox"/> 4 — ECHO         </p>	<p><b>RS485 2-wire mode (Default)</b></p>
<p> <input type="checkbox"/> 1 — RS485-2W  <input type="checkbox"/> 2 — RS485-4W  <input type="checkbox"/> 3 — RS422  <input checked="" type="checkbox"/> 4 — ECHO         </p>	<p>RS485 4-wire mode</p>
<p> <input type="checkbox"/> 1 — RS485-2W  <input type="checkbox"/> 2 — RS485-4W  <input checked="" type="checkbox"/> 3 — RS422  <input type="checkbox"/> 4 — ECHO         </p>	<p>RS422 mode</p>
<p> <input type="checkbox"/> 1 — RS485-2W  <input type="checkbox"/> 2 — RS485-4W  <input checked="" type="checkbox"/> 3 — RS422  <input type="checkbox"/> 4 — ECHO         </p>	<p>Echo mode enabled  <b>(Note: Only applicable for RS485-2W mode)</b></p>

**1. Terminator Switches (T1 to T8 for Port 1 to Port 8 respectively):**

The design of each RS485 and RS422 port has built-in 2 120 Ohm termination resistors. One is in between RX+ and RX-, controlled by DIP switch pin 1; another is in between TX+ and TX-, controlled by DIP switch pin 2. When the switch pin is set ON, the corresponding terminator resistor is enabled, otherwise it is disabled (floated). Both switch pins were set to OFF by the factory default settings.

## 5. Installing the Module Box

1. Plug the USB Type-A end of the supplied USB cable into the USB host port on your PC or into an available USB port on a USB hub. Connect the other Type-B end to the rear Type-B connector of this Module Box.
2. The Module Box is powered by the 2-pin terminal blocks instead of the USB bus, please connect the +7~12V DC power (not provided with this product) for proper operation (the polarity must be applied correctly). If you have another USB device that needs to be connected with daisy-chain mode, please connect it to the USB Type-A downstream connector.
3. If you are connecting a RS232 device to the Module Box, then the 3 RS232 pins on the terminal blocks are required. The RS232 mode does not need any extra DIP switch settings, simply connect to the terminal blocks' pin 5, 6 and 7 and leave the rest pin 1~4 unconnected. Each port can only work in one mode at the same time. The RS232 mode is not set by DIP switches. Instead, it is automatically supported by the separate connector pins.
4. Proceed with Software Driver Installation.
5. The connection is explained as the following diagram:

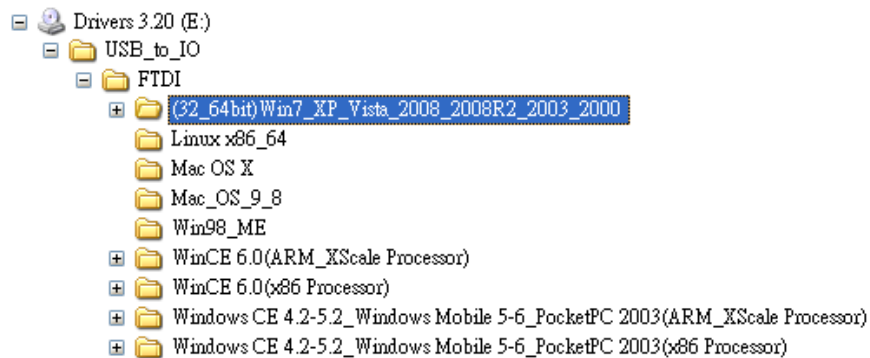


## 6. Software Installation

This Adapter can be hot-plugged to the USB port of your computer due to the specifications of USB. It supports the following operating systems. The drivers were shipped in the following folders on the supplied driver CD.

### 1. Driver Locations on the CD

These instructions are for installing the drivers from the CD supplied with the product. If you are installing drivers for Win98, ME, 2000 or XP, when prompted for the location of the drivers, specify your CD-ROM drive and the locations according to the following table:

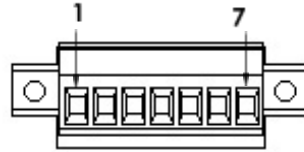


■	All Windows 32 and 64-bit
■	Linux 32 and 64-bit
■	Mac OS X
■	Mac OS 9.x, 8.x
■	Windows 98, 98SE, ME
■	Windows CE for ARM
■	Windows CE for ix86

#### 1. Installing Drivers for (32-bit and 64-bit) Win7, XP, Vista, 2008, 2003 and 2000:

- Insert the Driver CD supplied with the Adapter.
- Run (or double click) the Installer Program (e.g. **CDM20600.exe** ) in the following folder of the driver CD:  
**\USB\_to\_IO\FTDI\ (32\_64bit)Win7\_XP\_Vista\_2008\_2008R2\_2003\_2000**
- Follow the instructions of the installer program to complete the setup procedures.
- Plugging the Adapter will hook the drivers into the Windows kernel automatically.

## 7. Terminal Blocks Pin assignment



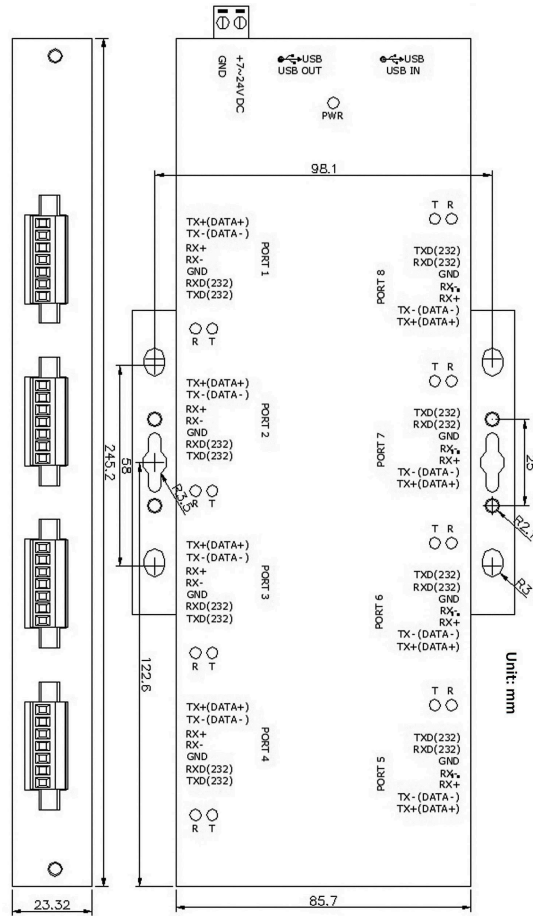
Pin No.	Signal Name	Support Modes
1	TX+ (DATA+)	RS485 2-wire, RS485 4-wire, RS422
2	TX- (DATA-)	RS485 2-wire, RS485 4-wire, RS422
3	RX+	RS485 4-wire, RS422
4	RX-	RS485 4-wire, RS422
5	GND	RS485 2-wire, RS485 4-wire, RS422 and RS232
6	RXD	RS232
7	TXD	RS232



## 8. Specifications

Connectors	Upstream USB: Type-B Downstream USB: Type A Devices: 7-pin 3.5mm Terminal Blocks x 8
Cable	USB Screw-Lock-Type Cable
Bus Interference	USB2.0
Number of Ports	8
RS232 Signals	TXD, RXD, GND
RS485 2-wire mode	DATA+, DATA-, GND
RS485 4-wire and RS422 modes	TX+, TX-, RX+, RX-, GND
Baud Rate	110 bps to 921.6Kbps
Data Bits	5,6,7,8,9
Stop Bits	1, 1.5, 2
I/O address/IRQ	Plug-and-Play (various)
Parity	None, Even, Odd, 1, 0
Operating Temperature	0 to 55°C(32 to 132°F)
Operating Humidity	5 to 95% RH
Storage Temperature	-20 to 85°C (-4 to 185°F)
Power Consumption	12V/0.5A for Isolation and Surge Protection 12V/0.2A for non-Isolation Model

## 9. Mechanical Drawing



## Contact Us:

### Coolgear Inc.

5120 110th Avenue North  
Clearwater, Florida 33760 U.S.A.

**Toll Free:** 1 888-688-2188

**Local:** 1 727-209-1300

**Fax:** 1 727-209-1302

### Safety

- Read the entire Installation Guide before implementing this product for your application. This guide contains important information about electrical connections that must be followed for safe and proper operation.
- Inspect the product closely for visual defects before putting it to use.
- Keep away from areas where moisture builds, this product contains electrical components that can be damaged by moisture build up, this can adversely affect your equipment connected to it.
- Do not disassemble the product. Handling the product's internal components can expose it to ESD (Electro-Static Discharge) hazards that can affect the function of the device.
- If this product is not functioning properly, email our support team at [support@coolgear.com](mailto:support@coolgear.com).

## USB CHARGING & CONNECTIVITY EXPERTS

### Within Every Great Machine

For over 20 years our rugged, off-the-shelf USB hubs, chargers, and serial products are ready to go for your next project. Based in the US, Coolgear has successfully engineered and deployed millions of connectivity solutions into industrial, medical, automotive, commercial, and aerospace industries.

We understand the importance of reliability, build quality, & consider all our customers' applications as critical, wanting to ensure long-lasting event-free integrations.

#### Compliance Statement

View compliance within the product's respective Technical Data Sheet, found on the product's online listing.

#### Technical Support

When you reach out to Coolgear support, you'll find yourself in the hands of a solution-oriented and knowledgeable expert ready to answer whatever question you throw at them. If you ever need help with your product, visit [coolgear.com/support](http://coolgear.com/support) for support tickets, downloads, and other support resources. For the latest drivers, please visit [coolgear.com/download](http://coolgear.com/download).

**Product Standard Warranty**

One (1) Year Warranty from Date of Purchase Invoice. Coolgear will repair or replace any Product determined to be defective and which has been returned, at your risk and expense, to Coolgear. Where Coolgear determines in its sole judgment that repair or replacement of such Product is not reasonable, Coolgear will keep the non-conforming Product and refund to you the amount you paid for such Product. Returned Products shall be subject to the balance of the Warranty Period otherwise applicable. Any reconditioned parts used by Coolgear shall be subject to all the same provisions as otherwise applicable to new parts. THE FOREGOING DESCRIBES COOLGEAR'S SOLE LIABILITY, AND YOUR SOLE REMEDY, FOR ANY BREACH OF WARRANTY. IF YOU DO NOT AGREE WITH THE TERMS OF THIS LIMITED WARRANTY, YOU MUST RETURN THE PRODUCTS UNUSED AND IN THEIR ORIGINAL CONTAINERS TO YOUR ORIGIN OF PURCHASE.

**Limitation of Liability**

This Limited Warranty does not cover: (i) defects or damages resulting from natural causes, casualty, accident, misuse or abuse, neglect, alterations, service or repair by other than Coolgear, including without limitation by you; (ii) improper installation or de-installation, operation or maintenance, improper connections with peripherals or other causes not arising out of defects in the materials or workmanship of Products; (iii) any Product for which the warranty sticker has been removed, modified or defaced; (iv) normal wear and tear; (v) damage to or loss of repaired or replaced Products during shipping by Coolgear except when such damage or loss is caused by poor or inadequate packaging by Coolgear; or (vi) Products purchased outside the United States. UNDER NO CIRCUMSTANCES WILL COOLGEAR BE LIABLE FOR ANY LOSS OF USE, INTERRUPTION OF BUSINESS OR ANY INDIRECT, SPECIAL, INCIDENTAL, PUNITIVE OR CONSEQUENTIAL DAMAGES OF ANY KIND (INCLUDING LOST PROFITS) REGARDLESS OF THE FORM OF ACTION WHETHER IN CONTRACT, TORT (INCLUDING NEGLIGENCE), STRICT PRODUCT LIABILITY OR OTHERWISE, EVEN IF COOLGEAR HAS BEEN ADVISED OF THE POSSIBILITY OF SUCH DAMAGES. IN NO EVENT SHALL THE TOTAL LIABILITY OF COOLGEAR HEREUNDER EXCEED THE GREATER OF \$50.00 OR THE AMOUNT YOU ACTUALLY PAID FOR THE PRODUCT GIVING RISE TO SUCH LIABILITY, REGARDLESS OF THE CAUSE OF ACTION, IN CONTRACT, TORT, STRICT LIABILITY OR OTHERWISE. NOT ALL JURISDICTIONS ALLOW SUCH LIMITATIONS OF DAMAGES SO THE FOREGOING LIMITATIONS MAY NOT APPLY TO YOU.

© 2024 Coolgear, Inc. All Rights Reserved. All products and accompanying digital documentation including images are the property and / or trademarks of Coolgear Inc. Coolgear Inc. are continuously improving upon its products. Product specifications are subject to change without notice.